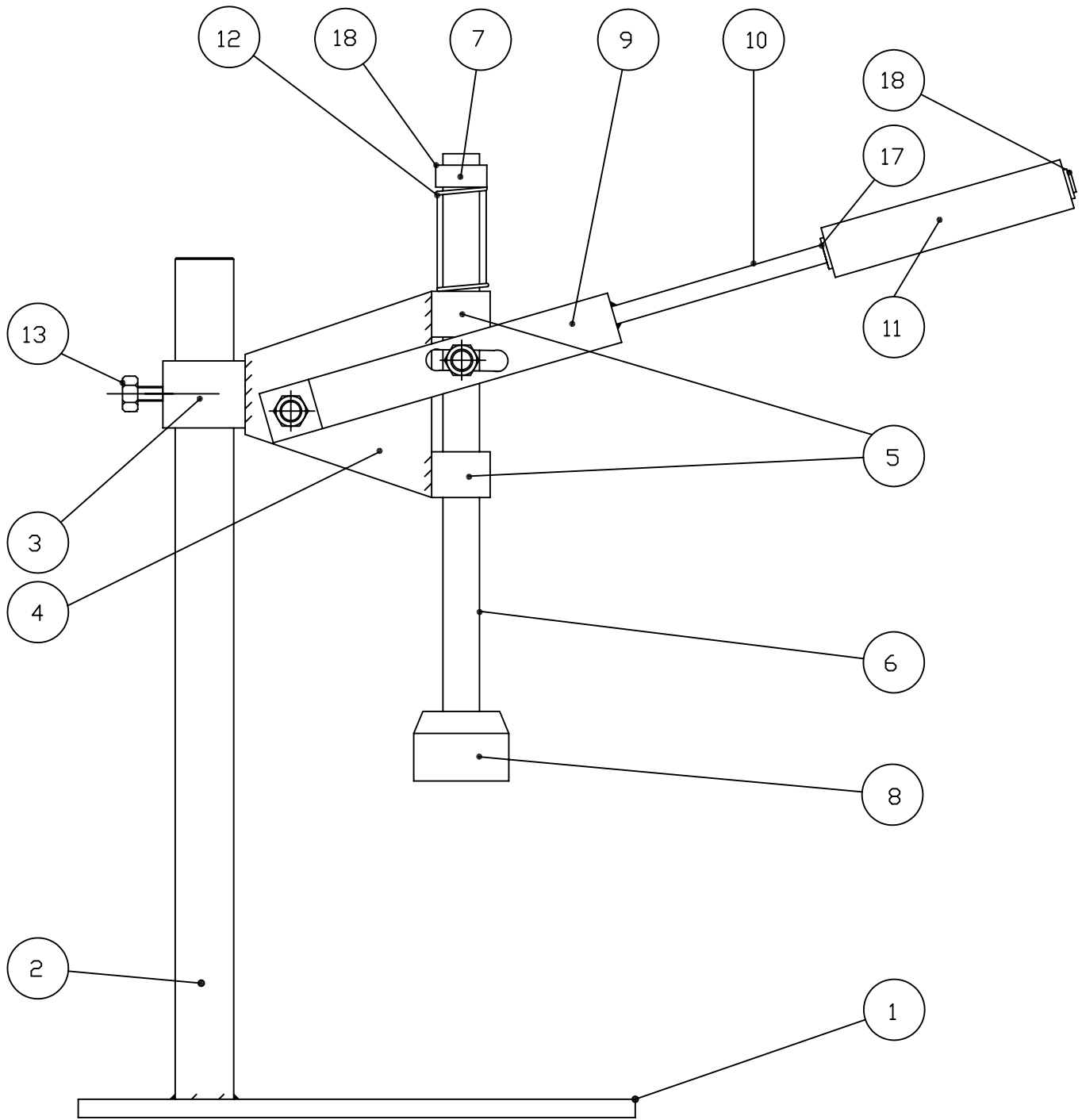


DO NOT SCALE

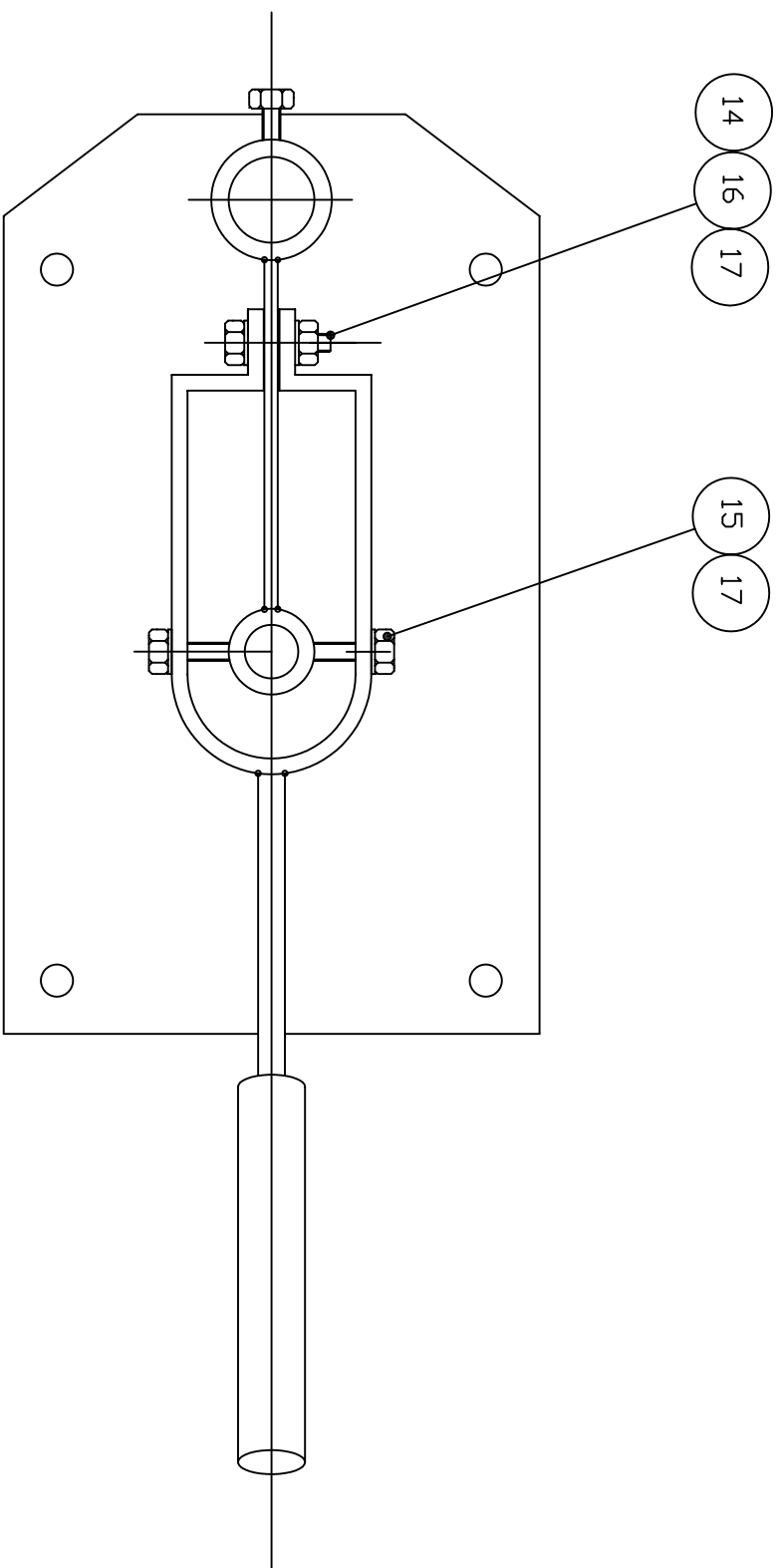


(SEE DRAWING CCM001-A FOR PLAN VIEW)

WELD AT 

CCM001	SIDE ELEVATION	-	-	-
No.	Description	CHK	AP'D	DATE
REVISIONS				

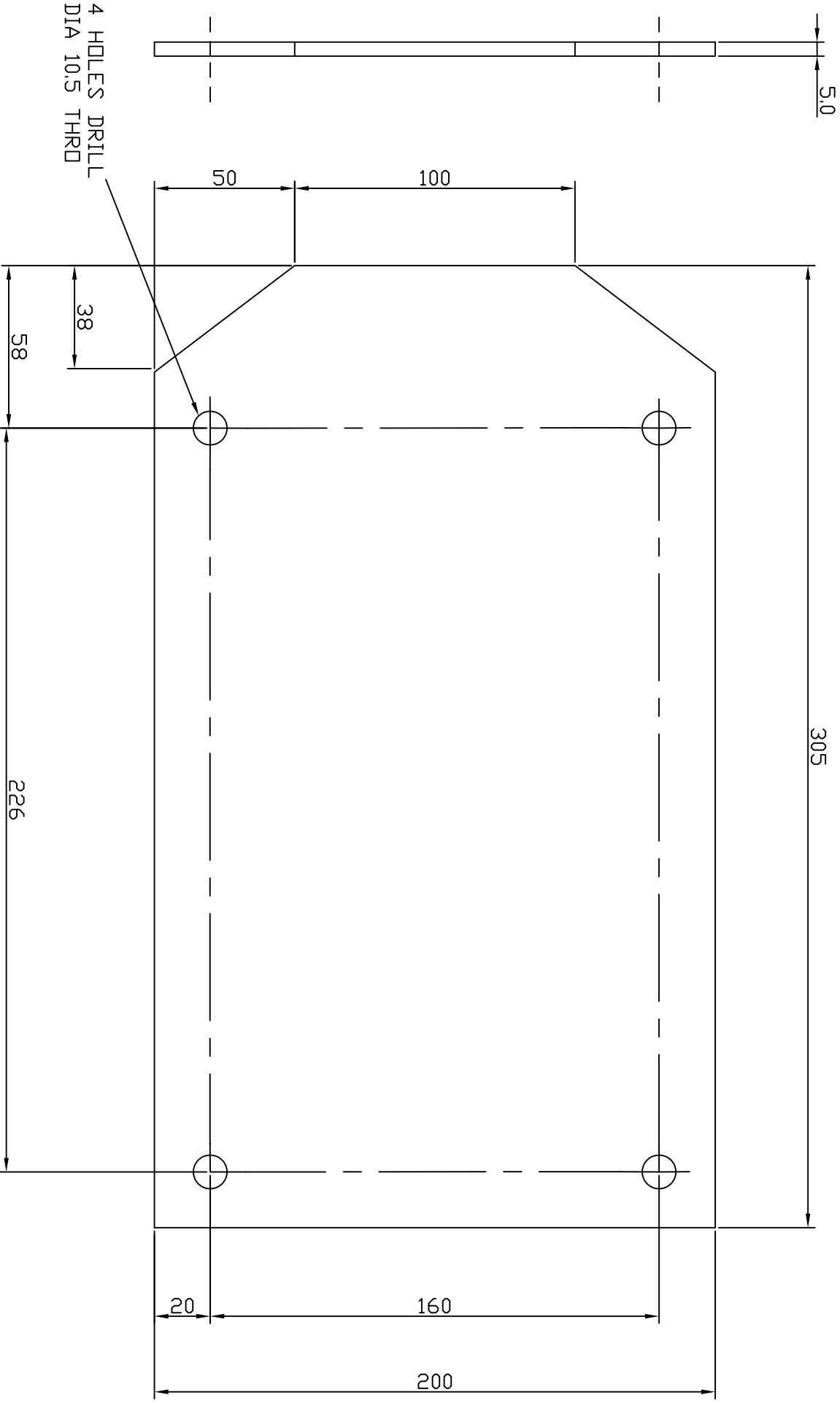
DD NDT SCALE



<SEE CCM001 FOR SIDE ELEVATION>

CCM001a		Plan View	CHK	AP'D	DATE	Practical Action www.practicalaction.org info@practicalaction.org.uk		TITLE	CROWN CAP MACHINE	DRAWN A/R	TRACE	CHK	NOT TO SCALE	
REVISIONS		Description				DIMENSIONS IN MM		DRAWING No.	CCM001a					

NDT TO SCALE - DD NDT SCALE

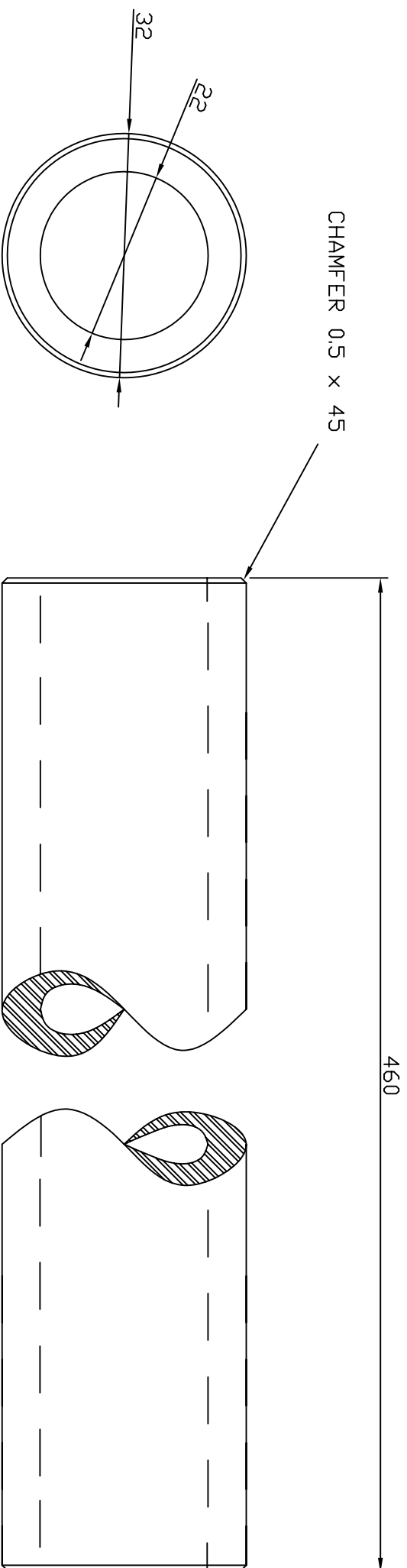


TOLERANCES UNLESS OTHERWISE STATED +/- 0.25

1 BASE PLATE - MILD STEEL - 1 DFF

NO.		Description		CHK	AP'D	DATE	Practical Action	TITLE	CROWN CORK MACHINE	DRAWN A.R	TRACE	CHK	DRAWING No. CCM201	NDT TO SCALE
REVISIONS							#####practicalaction.org info@practicalaction.org uk	DIMENSIONS IN MM						


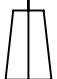
NDT TO SCALE - DD NDT SCALE



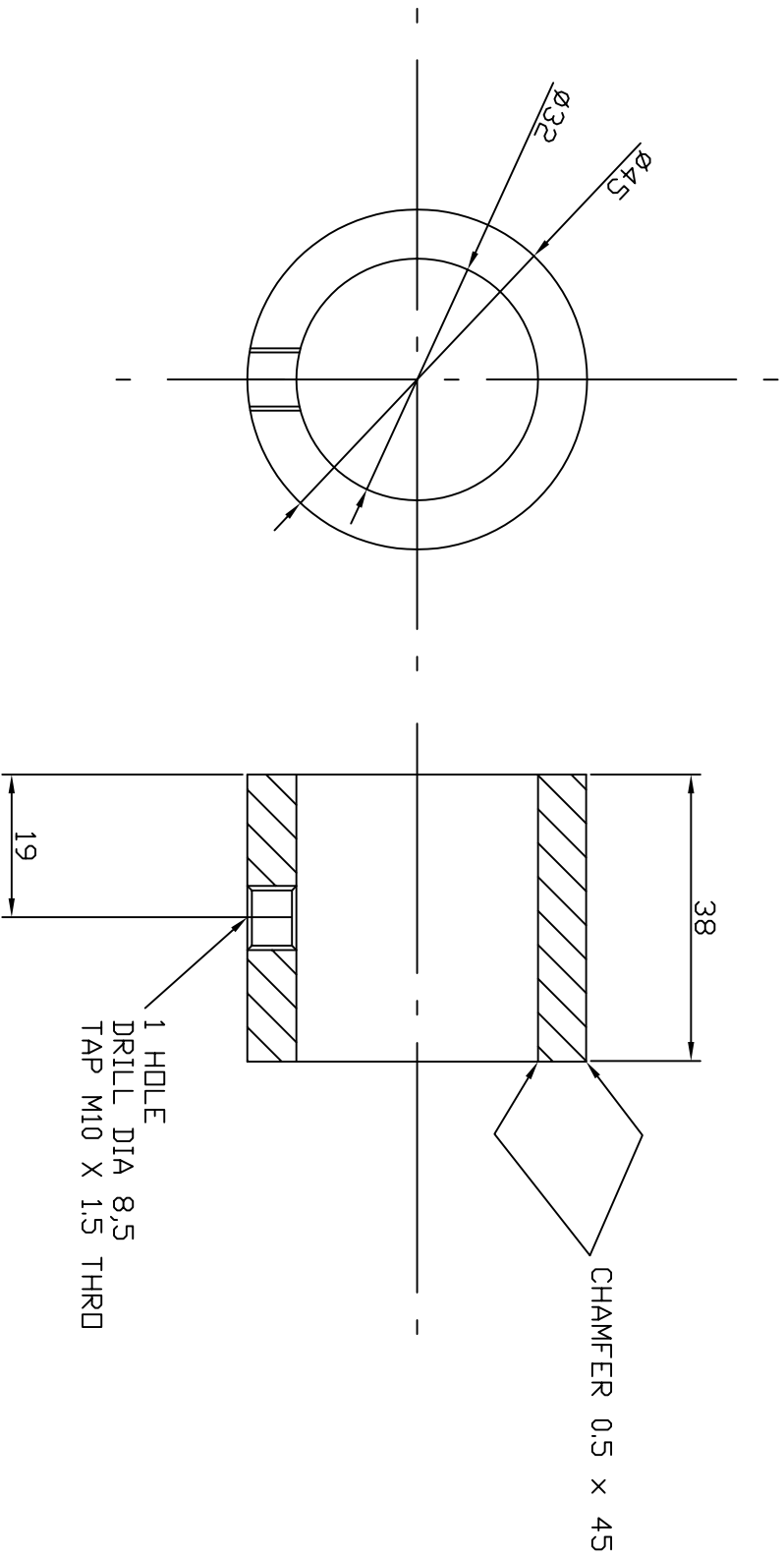
NOTE- USE MILD STEEL or GALVANISED
PIPE WITH MIN WALL THICKNESS 2mm

TOLERANCES
UNLESS OTHERWISE
STATED +/- 0.25

② COLUMN - MILD STEEL - 1 DFF

No.	Description	CHK	AP'D	DATE	Practical Action www.practicalaction.org info@practicalaction.org	TITLE	CROWN CAP MACHINE	DRAWN A.R	TRACE -	CHK -	 	NDT TO SCALE
REVISIONS						DIMENSIONS IN MM	DRAWING No. CCM201					

NDT TO SCALE - DD NDT SCALE



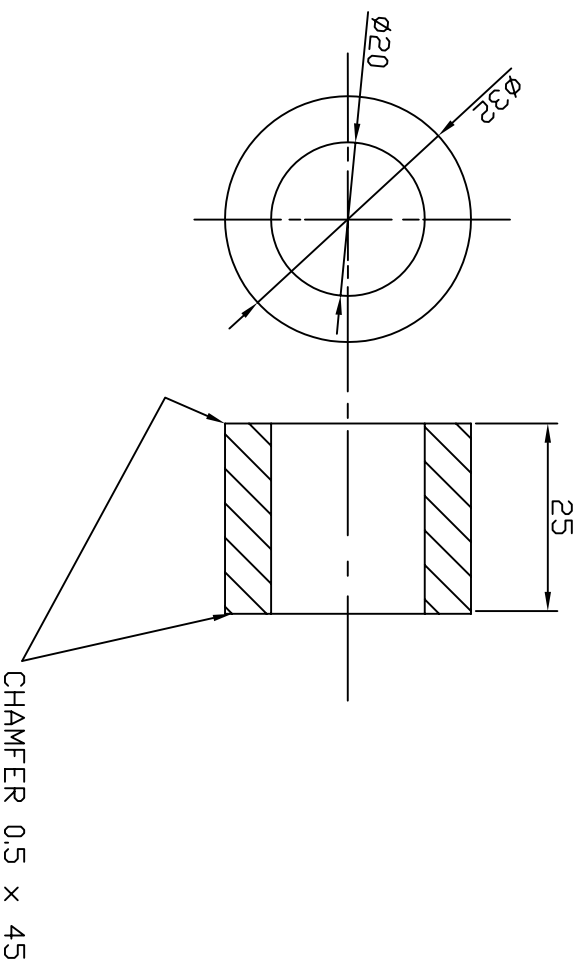
TOLERANCES
UNLESS OTHERWISE
STATED +/- 0,25

3 BUSH FOR HEIGHT ADJUSTMENT - MILD
STEEL - 1 DFF

No.				
REVISIONS	Description	CHK	AP'D	DATE

Practical Action www.practicalaction.org info@practicalaction.org.uk		TITLE			DRAWN		TRACE		CHK		NDT TO SCALE	
		CROWN CAP MACHINE			A.R		-		-		NDT TO SCALE	
		DIMENSIONS IN MM			DRAWING No. CCM203							

NDT TO SCALE - DD NDT SCALE



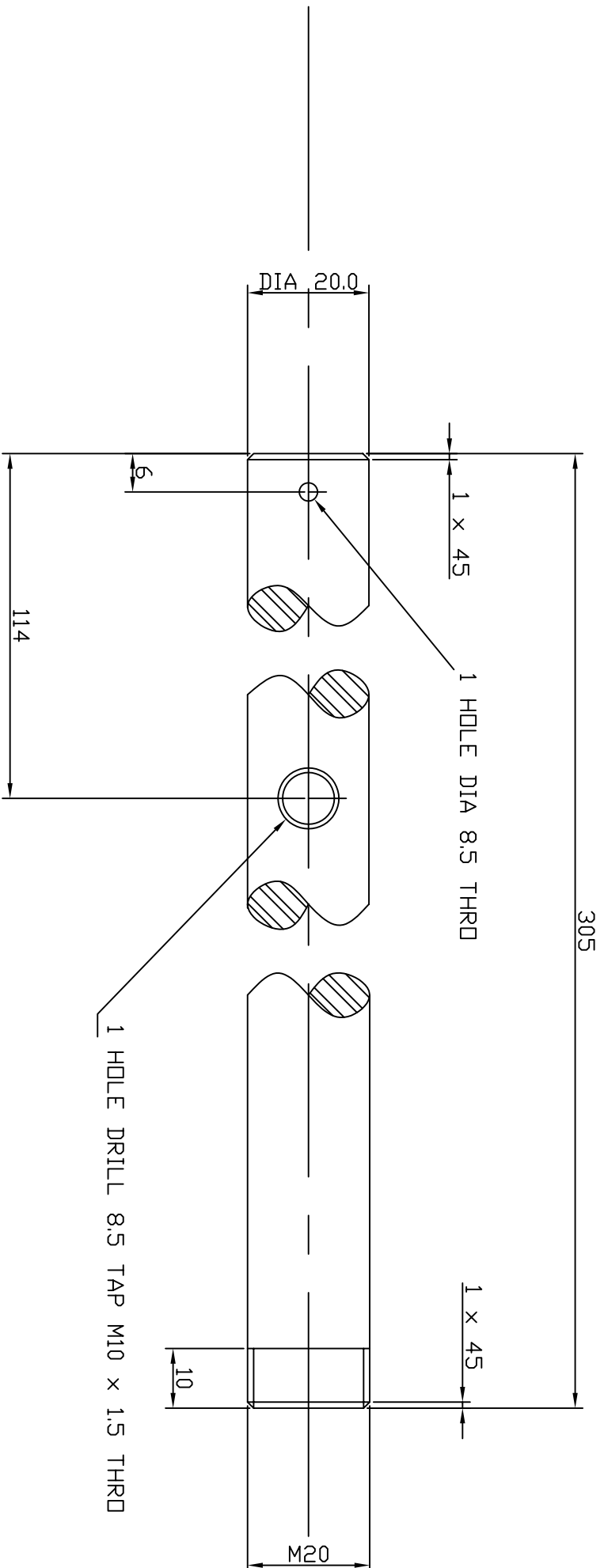
TOLERANCES
UNLESS OTHERWISE
STATED +/- 0.25

5 BUSH - MILD STEEL - 2 DFF

No. REVISIONS	Description	CHK	AP'D	DATE

Practical Action info@practicalaction.org	TITLE				DRAWN		TRACE		CHK	NDT TO SCALE
	CROWN CAP MACHINE				A.R		-		-	
	DIMENSIONS IN MM				DRAWING No. CCM205					

NDT TO SCALE - DD NDT SCALE

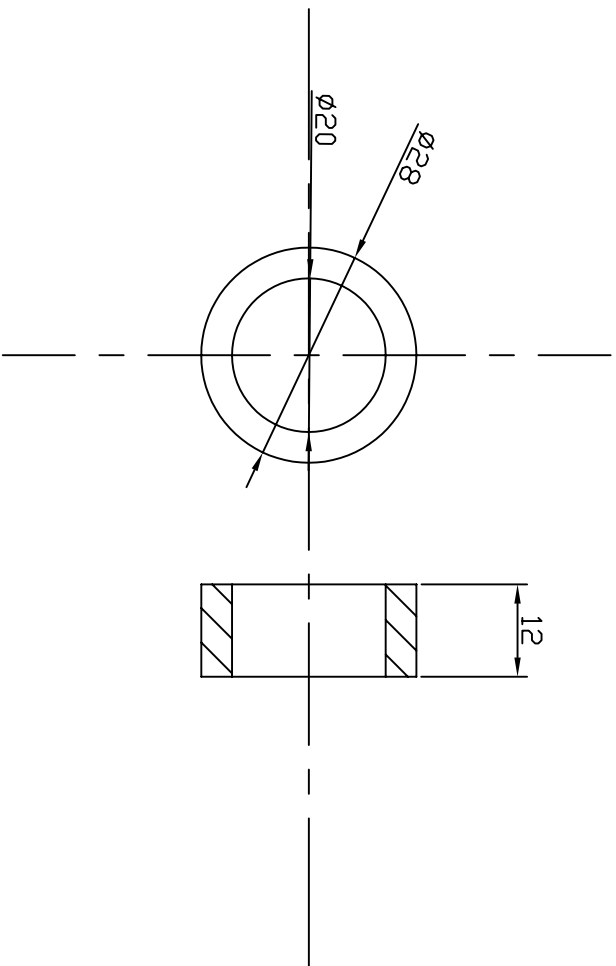


TOLERANCES
UNLESS OTHERWISE
STATED +/- 0.25

6 SHAFT - MILD STEEL - 1 DFF

No.		Description		CHK	AP'D	DATE	Practical Action	TITLE	CROWN CAP MACHINE	DRAWN A.R	TRACE	CHK	DRAWING No. CCM206	NDT TO SCALE
REVISIONS							Practical Action www.practicalaction.org info@practicalaction.org.uk	DIMENSIONS IN MM						

NOT TO SCALE - DO NOT SCALE



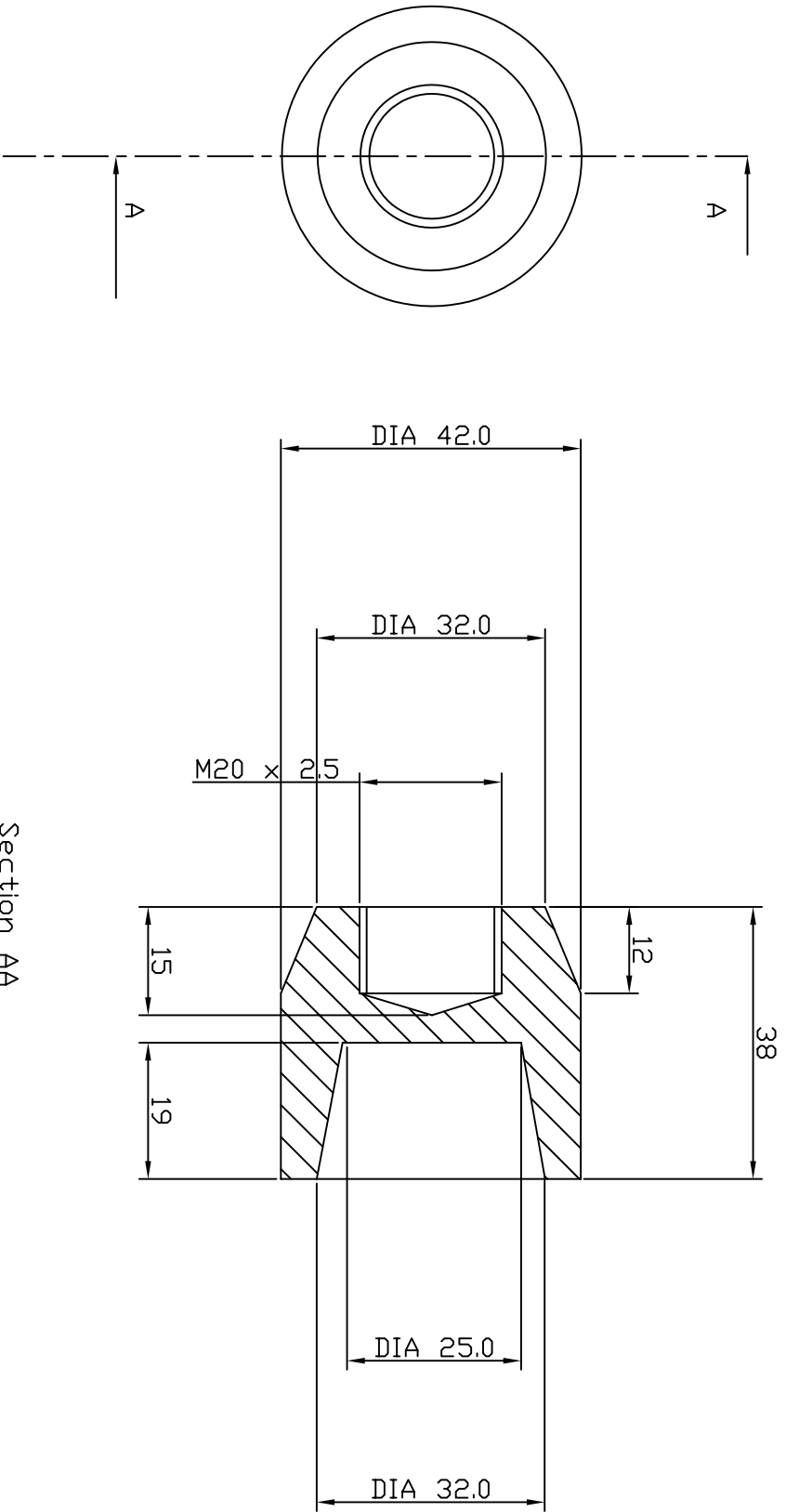
TOLERANCES
UNLESS OTHERWISE
STATED +/- 0.25

7 STOP - MILD STEEL - 1 DFF

No.	Description	CHK	AP'D	DATE
REVISIONS				

Practical Action www.practicalaction.org info@practicalaction.org		TITLE		DRAWN		TRACE		CHK		NDT TO SCALE	
		CROWN CAP MACHINE		A.R		-		-		NDT TO SCALE	
		DIMENSIONS IN MM		DRAWING No.		CCM207					



NDT TO SCALE - DD NDT SCALE



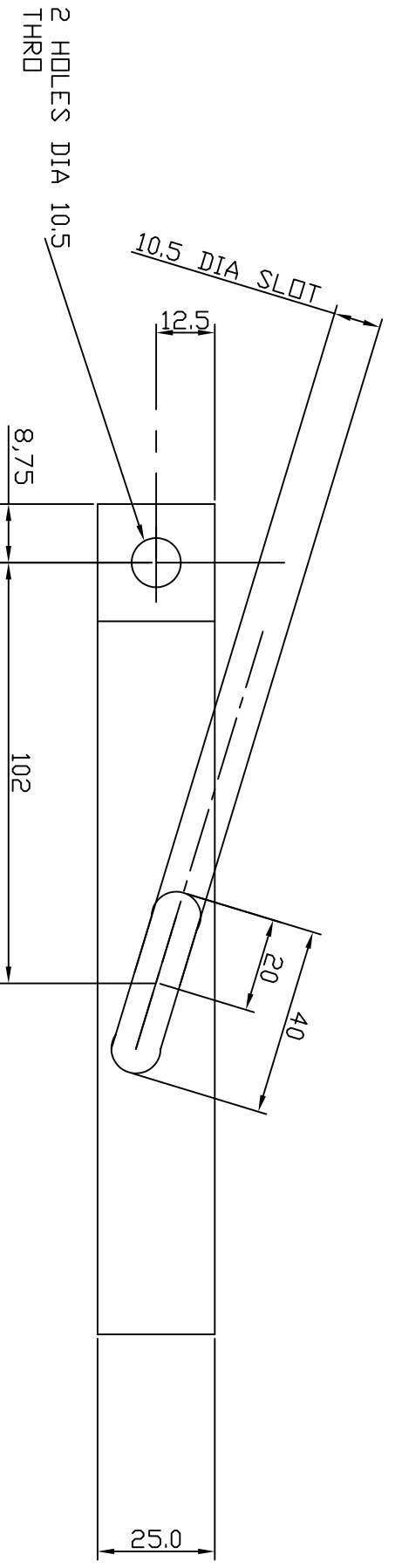
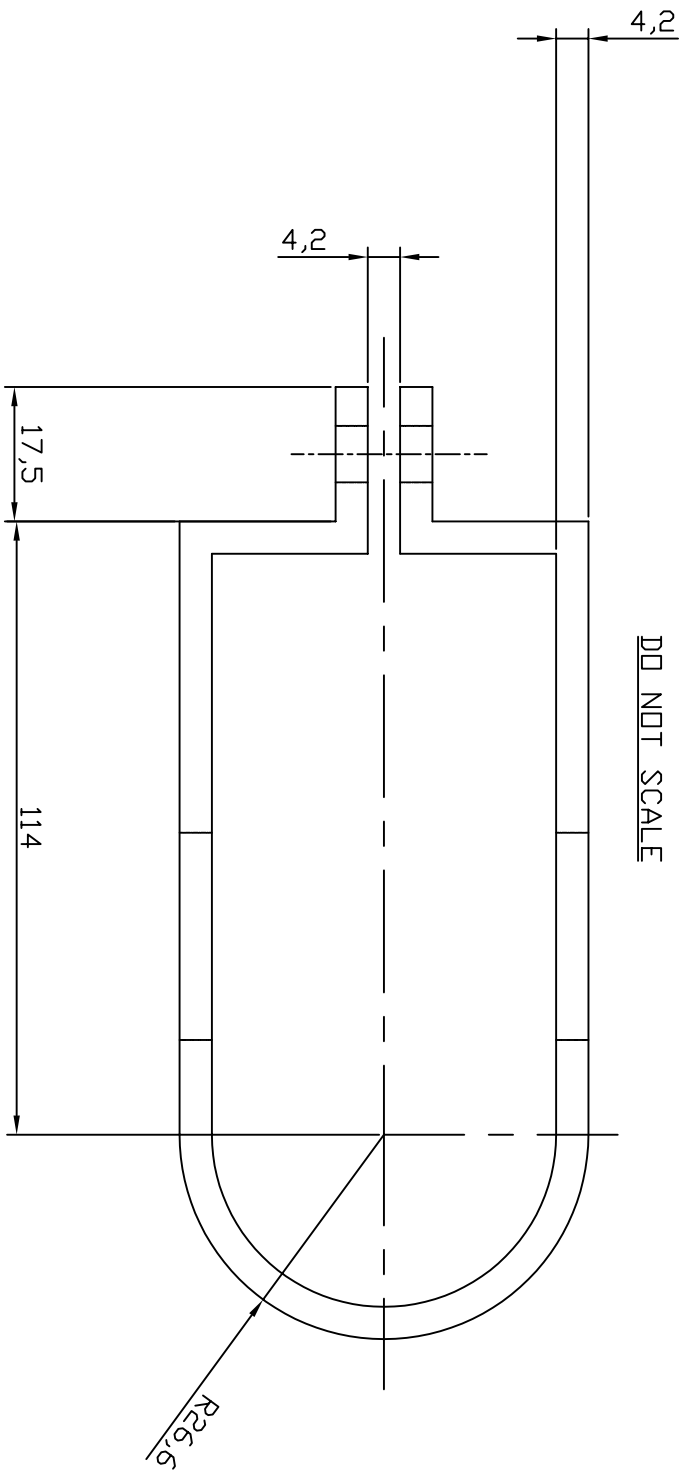
Section AA

TOLERANCES
UNLESS OTHERWISE
STATED +/- 0.25

8 CAP HOLDER - MILD STEEL - 1 DFF



No. REVISIONS		Description		CHK	AP'D	DATE	http://practicalaction.org info@practicalaction.org		TITLE	CROWN CAP MACHINE	DRAWN A/R	TRACE	CHK	 		NDT TO SCALE
							Practical Action		DIMENSIONS IN MM							

DD NOT SCALE

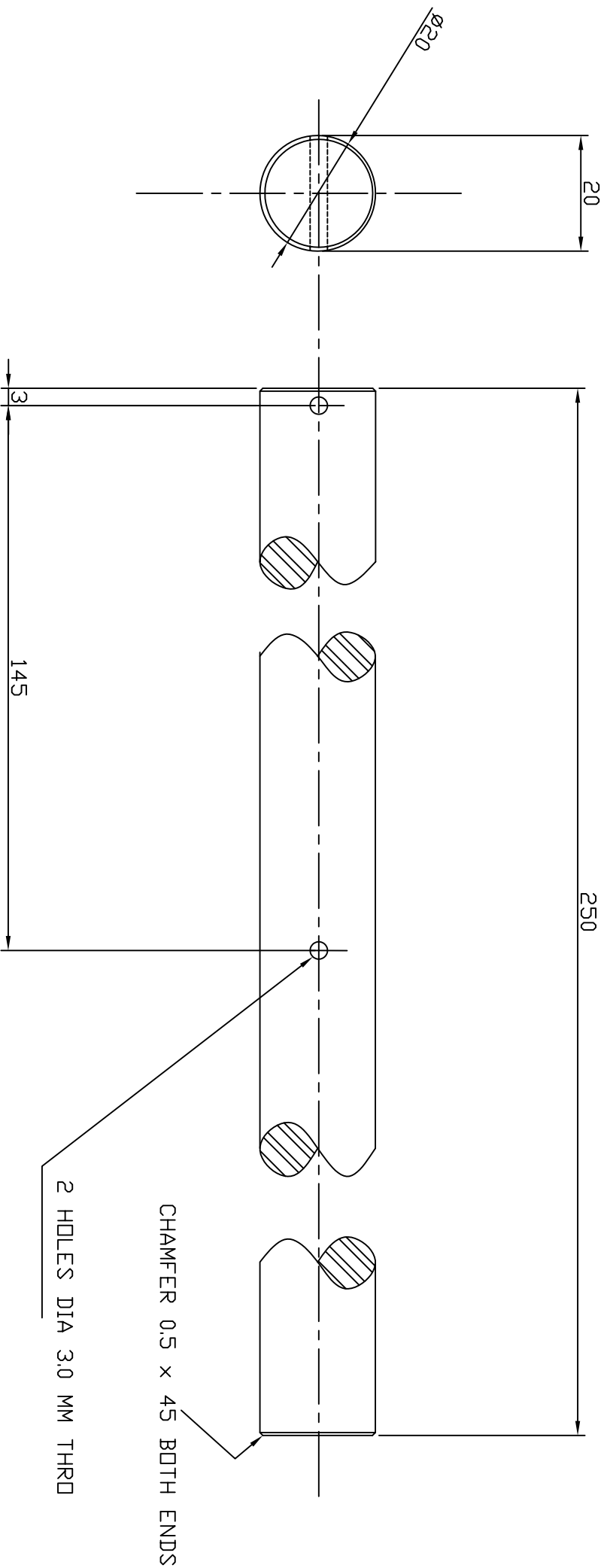


TOLERANCES
UNLESS OTHERWISE
STATED +/- 0.25

9 HOLDER -
MILD STEEL
- 1 OFF

No. REVISIONS		CHK	AP'D	DATE	Practical Action practicalaction.org practicalaction.org.uk	TITLE CROWN CAP MACHINE DIMENSIONS IN MM	DRAWN A/R	TRACE -	CHK -	 	NDT TO SCALE
Description											

NDT TO SCALE - DD NDT SCALE



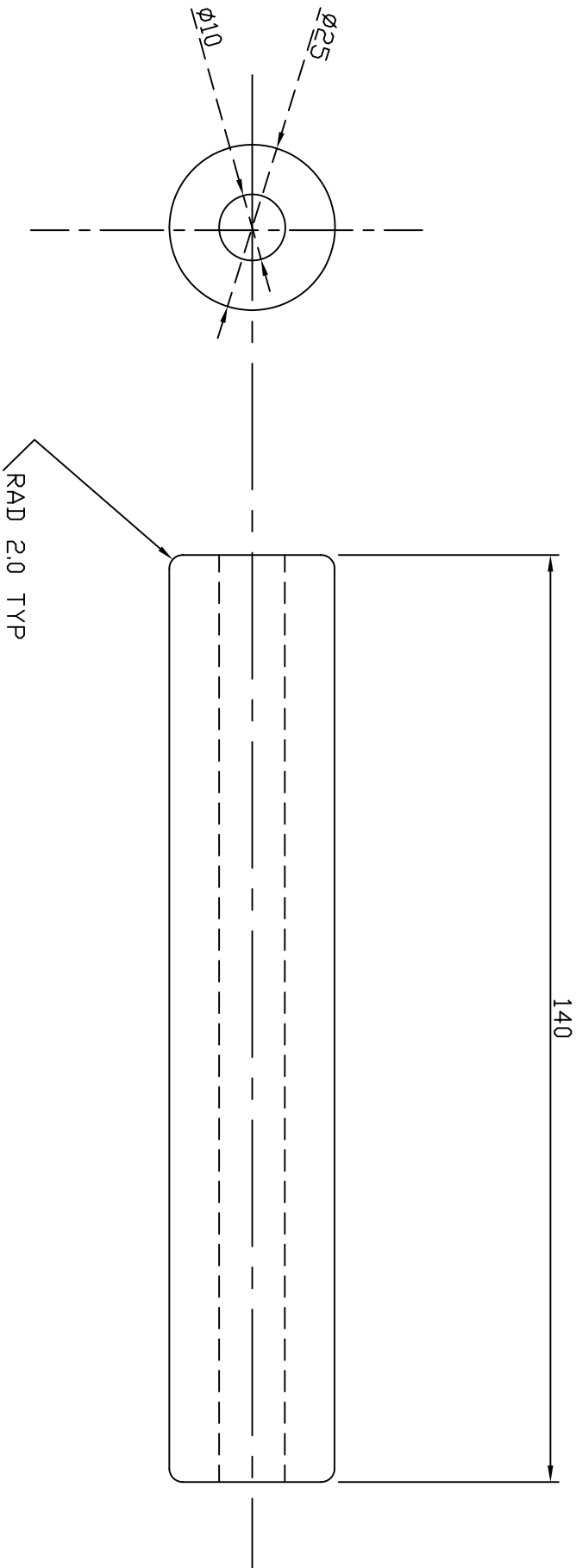
TOLERANCES
UNLESS OTHERWISE
STATED +/- 0.25

10 LEVER - MILD STEEL - 1 DFF

CHAMFER 0.5 x 45 BOTH ENDS
2 HOLES DIA 3.0 MM THRD

No.		Description		CHK	AP'D	DATE	Practical Action www.practicalaction.org info@practicalaction.org	TITLE	CROWN CAP MACHINE	DRAWN A.R	TRACE -	CHK -			NDT TO SCALE
REVISIONS								DIMENSIONS IN MM							

NOT TO SCALE



TOLERANCES
UNLESS OTHERWISE
STATED +/- 0.25

11 HANDLE - HARD WOOD - 1 OFF

No. REVISIONS		Description		CHK	AP'D	DATE	Practical Action www.practicalaction.org info@practicalaction.org		TITLE	CROWN CAP MACHINE	DRAWN A.R	TRACE	CHK	DRAWING No. CCM211		NDT TO SCALE
									DIMENSIONS IN MM							